

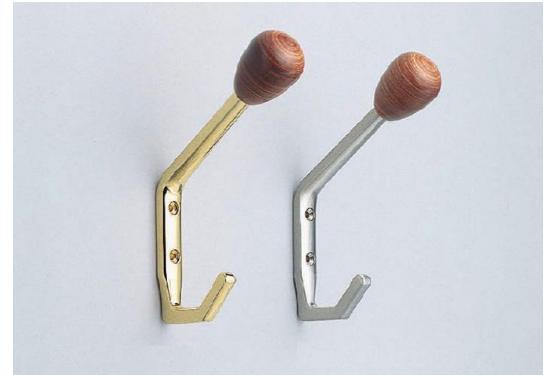
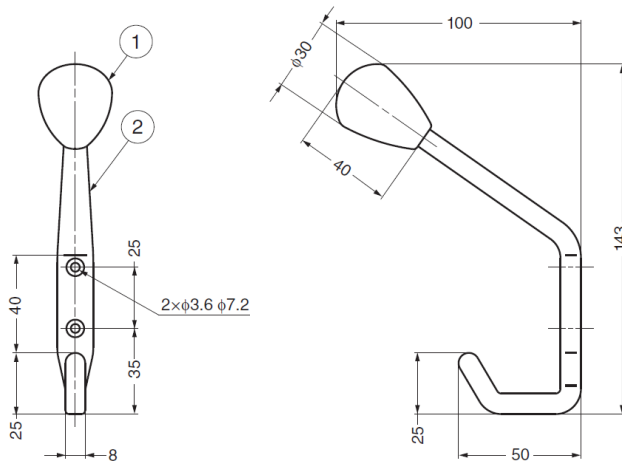
GSW-B-140 Coat Hook

Features

- Laminated wood resists water, oil, heat, etc

Parts Included

- Countersunk round head wood screw 3.5×25



No.	Type	Material	Finish
①	—	Natural Wood	Plain
②	G	Zinc Alloy (ZDC)	Gold
②	WB	Zinc Alloy (ZDC)	Satin Nickel

Part No.	Load Capacity
GSW-B-140G	Top Hook: 29.4 N (3 kg)
GSW-B-140WB	Bottom Hook: 147 N (15 kg)

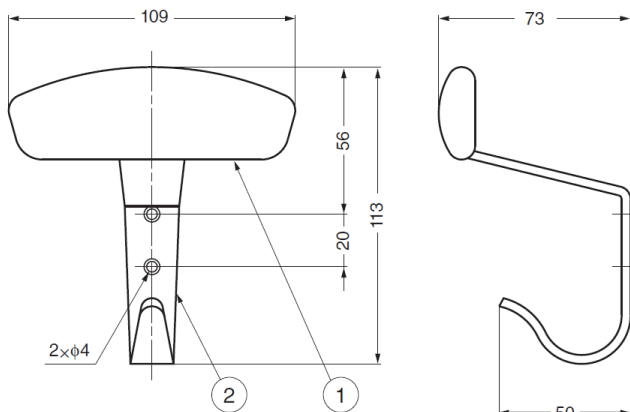
GSW-B-180 Coat Hook

Features

- Laminated wood resists water, oil, heat, etc.

Parts Included

- Countersunk round head wood screw 3.5×16 (SUS)



No.	Material	Finish
①	Natural Wood	Plain
②	Stainless Steel (SUS304)	Satin

Part No.	Load Capacity
GSW-B-180	Top Hook: 49 N (5 kg) Bottom Hook: 98 N (10 kg)